

The relay output types are suitable for operating with NPN or PNP proximity switches.

For operating with PNP switches connect the terminals 5, 9 and 10 and with NPN switches the terminals 4, 9 and 10.

The power supplies are normally adjusted for an input voltage range of 220 V AC (terminals 1 and 3).

The switch to 110 V AC is made in the unit:  
Remove the two connections from Terminal 2. Connect the free black connection to Terminal 1 and the white one to Terminal 3.

Description	
Version	



Ordering code	
Input voltage	
Output voltage	
Ripple	
Current consumption	
Output current	
Housing	
Ambient temperature range T <sub>a</sub>	
Storage temperature	
Connections	
Housing attachment	
Relay functions	switching voltage coil voltage switching current switching power

**Power supply B-3**

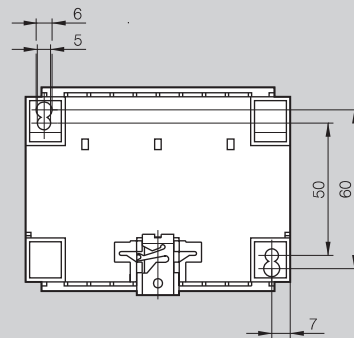
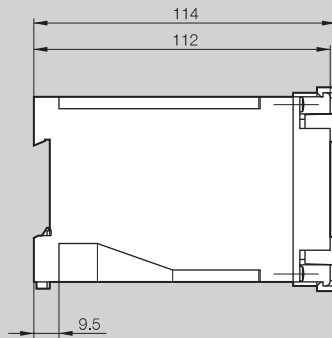
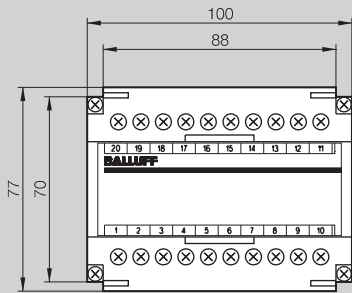
with 2 integrated output relays  
723 Ω each

**Power supply Z-3**

with 2 integrated output relays each  
723 Ω and positive opening contacts

**Power supply A-3**

no output relay



PX0877

BES 516-706-B-3

BES 516-706-Z-3

BES 516-706-A-3

110/220 V AC ±10 %, 50 Hz

24 V DC ±20 %

≤ 10 % per DIN 41755 1.2.2

max. 20 VA

max. 0.5 A

Gray thermoplastic, temperature resistant to +100 °C

-20...+60 °C

-20...+60 °C

20 connection terminals for 2×2.5 mm<sup>2</sup>

Screw or snap-rail mounting for attaching to 35 mm standard rail per DIN 46277

max. 250 V DC/max. 380 V AC

17.5...28.2 V DC

max. 5 A

max. 250 VA DC/max. 1100 VA AC

max. 250 V DC

17.5...28.2 V DC

max. 8 A

max. 250 VA DC/max. 1700 VA AC

max. 250 V DC/max. 380 V AC

17.5...28.2 V DC

max. 5 A

max. 250 VA DC/max. 1100 VA AC



5

Connectors  
Splitter boxes  
with  
accessories

**Electrical  
devices**

Fasteners  
Tools