

	<b>90° Rotatable head</b> for diffuse, retroreflective and through-beams BOS 18 (except laser)	<b>90° Rotatable head</b> for diffuse, retroreflective and through-beams BOS 18	<b>Diagonal mirror</b> for diffuse and through-beams BOS 12
Ordering code	BOS 18-UK-_*	BOS 18-UK-10	BOS 12-WS-1

\*1 = see table  
2 = see table

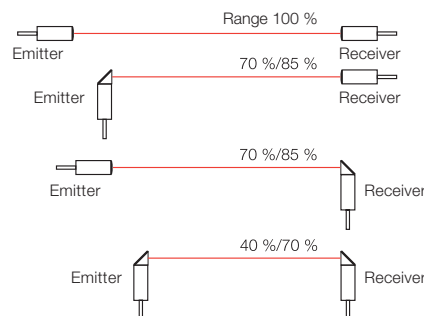


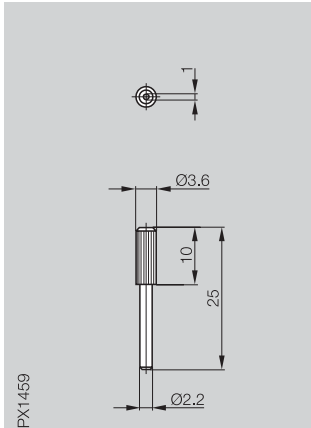
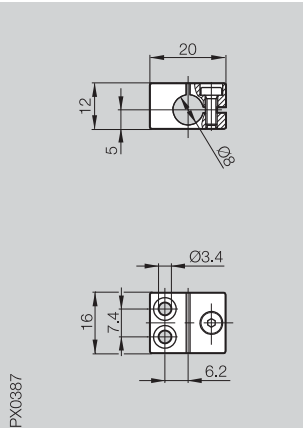
When using the diagonal mirror the sensing range is reduced by 30 % for the M12 diffuse and M12 through-beam sensors. Not suitable for retroreflective sensors.

**Rotatable heads, suitable combinations**

All BOS 18 photoelectric sensors can be equipped with a 90° rotatable head. The table shows the appropriate rotatable head for each switch type and indicates the corresponding reduction factor (RF) to apply to the range. In the case of a through-beam sensor both the emitter and receiver can be fitted with a 90° rotatable head. Each rotatable head reduces the range by approx. 15 % to 30 %.

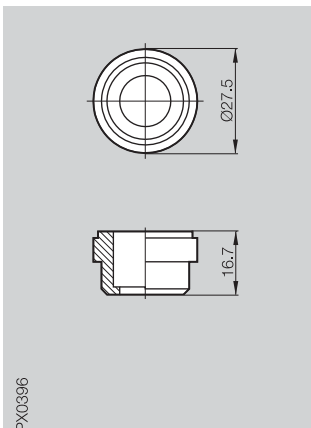
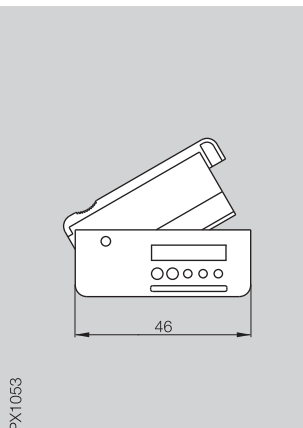
	<b>Diffuse</b>	<b>BOS 18-UK-1</b>	<b>BOS 18-UK-2</b>	<b>BOS 18-UK-10</b>
BOS 18...-XA-...	100 mm	RF = 45 %		RF = 50 %
BOS 18...-XB-...	200 mm	RF = 25 %		RF = 50 %
BOS 18...-PB-...	200 mm	RF = 25 %		RF = 50 %
BOS 18...-XD-...	400 mm		RF = 25 %	RF = 30 %
BOS 18...-PD-...	400 mm		RF = 25 %	RF = 30 %
<b>Retro-reflective</b>				
BOS 18...-RB-...	2 m		RF = 20 %	RF = 20 %
BOS 18...-RD-...	4 m		RF = 20 %	RF = 20 %
<b>Through-beam</b>				
BLE 18...-P-...	16 m		RF = 15 %	RF = 30 %
BLS 18...-XX-...	16 m		RF = 15 %	RF = 30 %



	<b>Adapter</b> for plastic fiber optics Ø 1 mm to Ø 2.2 mm (only for use with BOS 74 and 20)	<b>Holder</b> for glass fiber optics	
 <p>PX1459</p>		 <p>PX0387</p>	

Ordering code	BFO D10-LA-DC-10	BFO 08,0-KB-1	
---------------	------------------	---------------	--

Adapter for plastic fibers Ø 1 mm for increasing diameter to 2.2 mm for connecting to base units.

	<b>Adapter</b> Fiber optic cable BFO 18V to BOS 30	<b>Cutting Tool</b> for trimming plastic fiber optics Ø 1 mm or Ø 2.2 mm	
 <p>PX0396</p>		 <p>PX1063</p>	

Ordering code	BFO 30-A1	BFO CT	
---------------	-----------	--------	--

For attaching glass fiber optics BFO 18-V to M30 diffuse sensors.  
 First remove the M18 adapter adhered to the glass fiber optics.

