

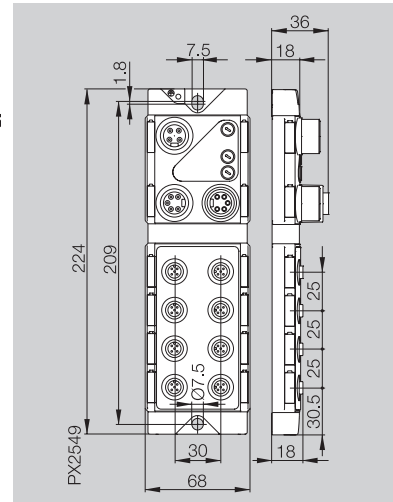




**8 Output-Only Module**

- 8 P-driven Outputs
- Outputs powered through Auxiliary Power
- Rated Output Current – 2 amps
- Overload Diagnostics
- Latching Overload Diagnostics must be reset through user program

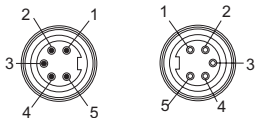
Style	Micro Top Mount
Type	8 outputs
Interface	DeviceNet™



Part Number	BNI DNT-202-000-Z005
-------------	----------------------

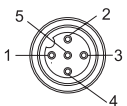
Supply voltage U <sub>s</sub>	18...30 V DC
AUX output power status: UA LED	green/red
Module status indicator: Mod LED	green/red
Network status indicator: Net LED	green/red
AUX input power status: US LED	green/red
Port status indicators	green/red
Connection: Fieldbus IN/OUT	7/8" 5-pin Male/Female
Connection: AUX power	7/8" 4-pin, Male
Connection: I/O ports	M12, A-coded, Female
No. of I/O ports	8
No. of inputs	8
No. of outputs	8
Configurable	no
Max. load current/channel	
Rated output current/channel	2 A
Total sensor current/module	
Total actuator current/module	< 9 A
Module current consumption	< 70 mA
Protection per IEC 60529	IP 67 (when attached)
Operating temperature	-5...+55 °C
Storage temperature	-25...+85 °C
Weight	approx. 580 g
Attachment	2 mounting holes
Housing material	Nickel-plated GD-Zn
Baud rates supported	125, 250, 500 kBaud
Autobaud	yes
Address settings	External Rotary Dials
Baud rate settings	External Rotary Dial
Max. switching frequency	100 Hz
I/O data supported	Polled, COS, Cyclic
Software resettable outputs	yes
Overload protected	yes
Short circuit protected	yes

**Fieldbus IN/OUT**



Pin #	Function
1	Drain
2	V+
3	0 V
4	CAN High
5	CAN Low

**I/O Port**



Pin #	Function
1	
2	
3	0 V
4	Output
5	Earth GND

**AUX Power**



Pin #	Function
1	Actuator (+24V)
2	
3	Earth GND
4	Ground 0 V

**Legend**

- O - Output
- R - Output Reset
- OL - Overload Status
- HS - Output Handshake
- AP - Actuator Power Status

**8 Output (3 bytes-IN, 2bytes-OUT)**

	Bit 15	Bit 14	Bit 13	Bit 12	Bit 11	Bit 10	Bit 9	Bit 8	Bit 7	Bit 6	Bit 5	Bit 4	Bit 3	Bit 2	Bit 1	Bit 0
IN Word 0	OL-7	OL-6	OL-5	OL-4	OL-3	OL-2	OL-1	OL-0	HS-7	HS-6	HS-5	HS-4	HS-3	HS-2	HS-1	HS-0
IN Word 1																AP
OUT Word 0	R-7	R-6	R-5	R-4	R-3	R-2	R-1	R-0	O-7	O-6	O-5	O-4	O-3	O-2	O-1	O-0

Overview

Product Family & System Approach

Product Matrix & Index

**Blocks**

Network Cables  
-Mini  
-Micro  
-Double Ended  
-Open Style  
-Bulk Cable

Network Accessories  
-Field Attachables  
-Tees  
-Terminators  
-Multiport Drop Boxes  
-Receptacles  
-Gender Changers  
-Power Tap  
-Bus Extender  
-Diagnostic Tool

Auxiliary Power  
-Single Ended  
-Double Ended  
-Power Tees  
-Field Attachables  
-Receptacles

Accessories

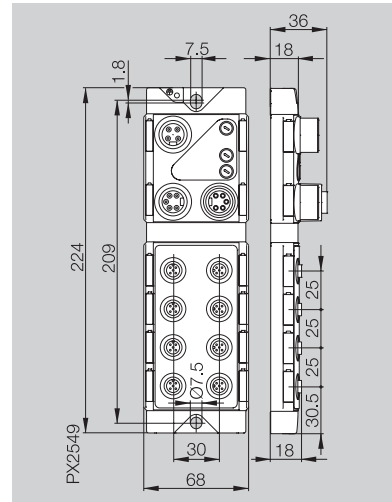




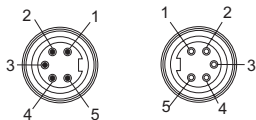
**8 Input/8 Output Module**

- 8 PNP Input and 8 P-driven Output
- Inputs & Outputs powered through Auxiliary Power
- Rated Output Current – 1.6 amps
- Short Circuit & Overload Diagnostics
- Latching Overload Diagnostics must be reset through user program

Style	Micro Top Mount
Type	8 inputs + 8 outputs
Interface	DeviceNet™

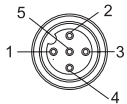


**Fieldbus IN/OUT**



Pin #	Function
1	Drain
2	V+
3	0 V
4	CAN High
5	CAN Low

**I/O Port**



Pin #	Function
1	V+
2	Input
3	0 V
4	Input
5	Earth GND

**AUX Power**



Pin #	Function
1	Actuator (+24V)
2	Sensor (+24V)
3	Earth GND
4	Ground 0 V

**Legend**

- I - Input
- O - Output
- R - Output Reset
- S - Short Circuit Status
- OL - Overload Status
- HS - Output Handshake
- AP - Actuator Power Status
- SP - Sensor Power Status

**Part Number** BNI DNT-305-000-Z005

Supply voltage U <sub>s</sub>	18...30 V DC
AUX output power status: UA LED	green/red
Module status indicator: Mod LED	green/red
Network status indicator: Net LED	green/red
AUX input power status: US LED	green/red
Port status indicators	green/red
Connection: Fieldbus IN/OUT	7/8" 5-pin Male/Female
Connection: AUX power	7/8" 4-pin, Male
Connection: I/O ports	M12, A-coded, Female
No. of I/O ports	8
No. of inputs	8
No. of outputs	8
Configurable	no
Max. load current/channel	200 mA
Rated output current/channel	1.6 A
Total sensor current/module	< 9 A
Total actuator current/module	< 9 A
Module current consumption	< 70 mA
Protection per IEC 60529	IP 67 (when attached)
Operating temperature	-5...+55 °C
Storage temperature	-25...+85 °C
Weight	approx. 580 g
Attachment	2 mounting holes
Housing material	Nickel-plated GD-Zn
Baud rates supported	125, 250, 500 kBaud
Autobaud	yes
Address settings	External Rotary Dials
Baud rate settings	External Rotary Dial
Max. switching frequency	100 Hz
I/O data supported	Polled, COS, Cyclic
Software resettable outputs	yes
Overload protected	yes
Short circuit protected	yes

**8-In 8-Out (5 bytes-IN, 2 bytes-OUT)**

	Bit 15	Bit 14	Bit 13	Bit 12	Bit 11	Bit 10	Bit 9	Bit 8	Bit 7	Bit 6	Bit 5	Bit 4	Bit 3	Bit 2	Bit 1	Bit 0
IN Word 0	S-7	S-6	S-5	S-4	S-3	S-2	S-1	S-0	I-7	I-6	I-5	I-4	I-3	I-2	I-1	I-0
Word 1	OL-7	OL-6	OL-5	OL-4	OL-3	OL-2	OL-1	OL-0	HS-7	HS-6	HS-5	HS-4	HS-3	HS-2	HS-1	HS-0
Word 2															SP	AP
OUT Word 0	R-7	R-6	R-5	R-4	R-3	R-2	R-1	R-0	O-7	O-6	O-5	O-4	O-3	O-2	O-1	O-0

Overview

Product Family & System Approach

Product Matrix & Index

**Blocks**

- Network Cables
- Mini
- Micro
- Double Ended
- Open Style
- Bulk Cable

Network

- Accessories
- Field Attachables
- Tees
- Terminators
- Multiport Drop Boxes
- Receptacles
- Gender Changers
- Power Tap
- Bus Extender
- Diagnostic Tool

Auxiliary Power

- Single Ended
- Double Ended
- Power Tees
- Field Attachables
- Receptacles

Accessories