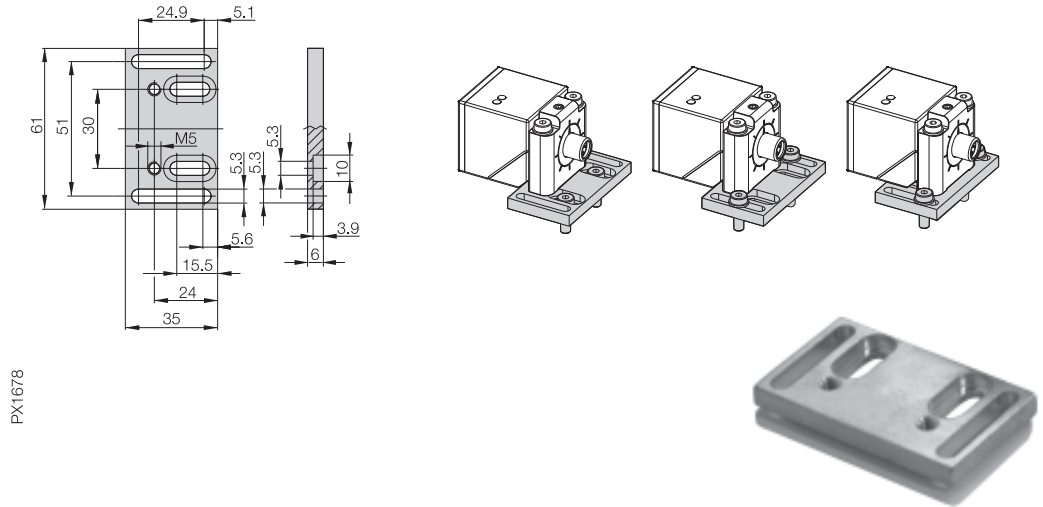
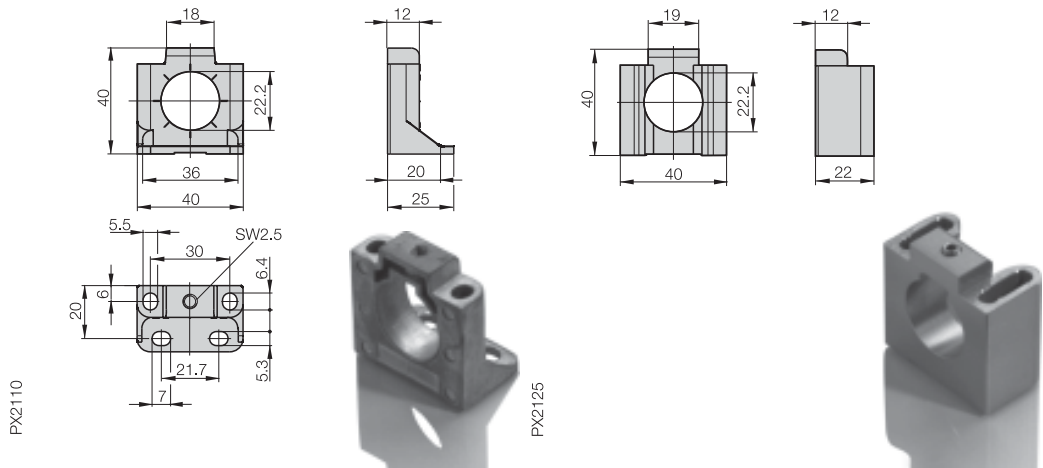


|               |                                       |
|---------------|---------------------------------------|
| Description   | <b>Mounting bracket for Unicomact</b> |
| Ordering code | BES Q40-HW-1                          |



PX1678

|               |                                      |                                      |
|---------------|--------------------------------------|--------------------------------------|
| Description   | <b>Mounting socket for Unicomact</b> | <b>Mounting socket for Unicomact</b> |
| Ordering code | BES Q40-HW-2                         | BES Q40-HW-3                         |



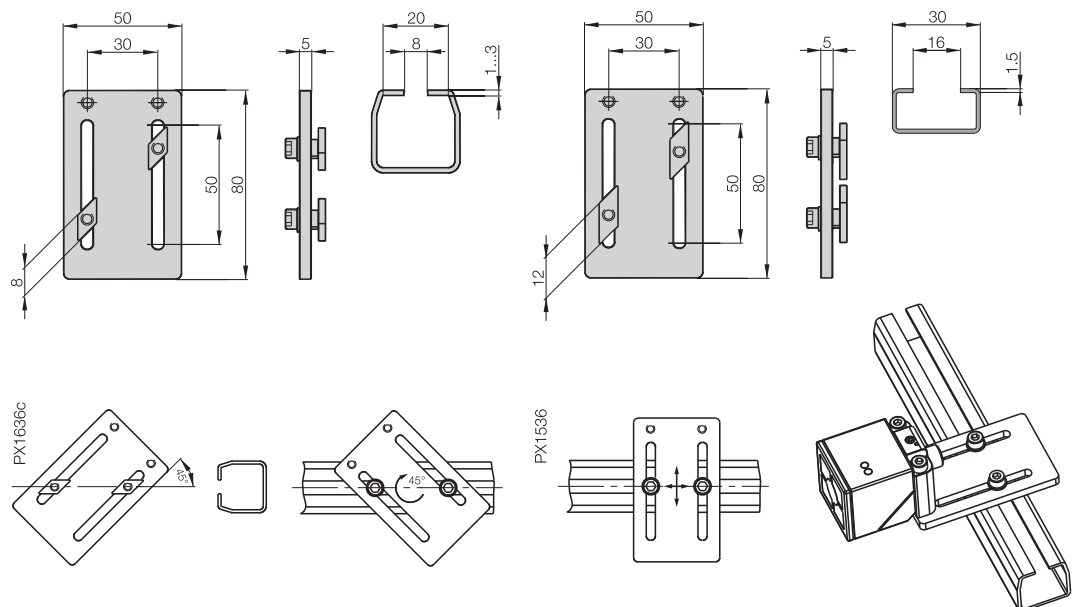
PX2110

PX2125

|               |                                     |                                     |
|---------------|-------------------------------------|-------------------------------------|
| Description   | <b>Holding system for Unicomact</b> | <b>Holding system for Unicomact</b> |
| Ordering code | BES HS-01-P1-C8/Q40                 | BES HS-01-P1-C16/Q40                |

This holding system is used to attach Unicomact sensors to extruded rails. Material: Al/CuZn.

- The mounting set consists of:
- 1 mounting plate
  - 2 tenon blocks
  - 2 M5×10 cheese head screws DIN 912 galvanized
  - 2 washers Ø 5.3 DIN 533
  - 2 M5×40 cheese head screws ISO 4762



PX1636c

PX1536

